

ASSEMBLY INSTRUCTIONS

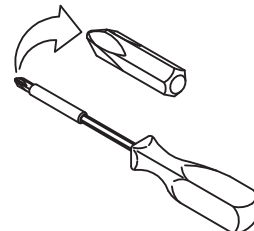
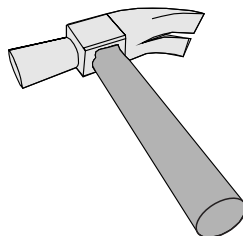
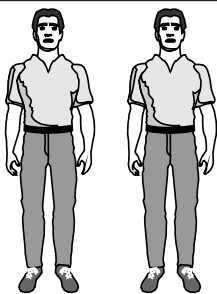
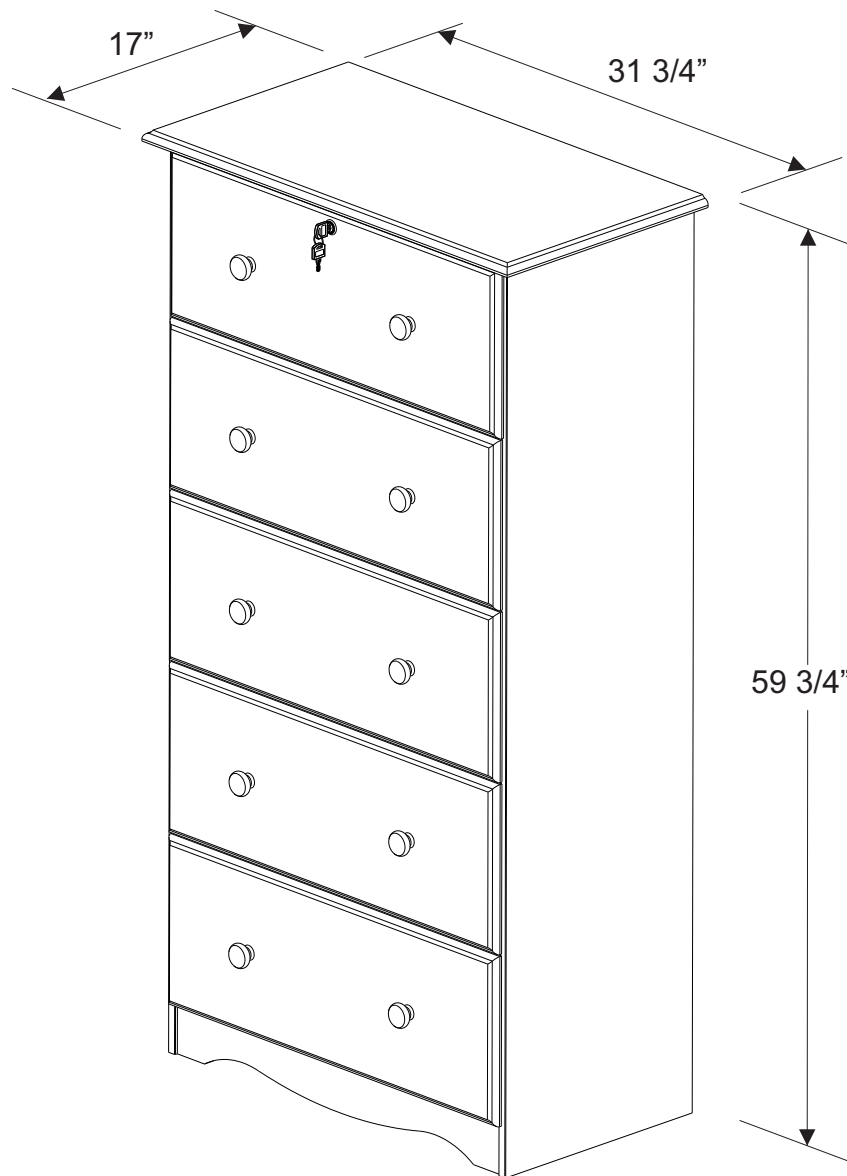
5 DRAWER SUPER JUMBO CHEST

Ref. 5351 - Whitewash

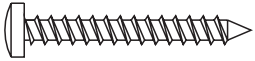



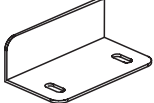
Ref. 5352 - Mahogany

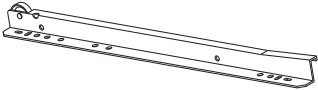
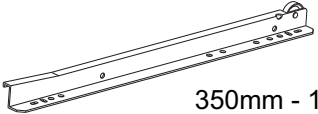
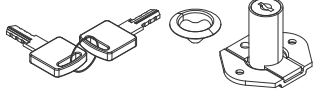
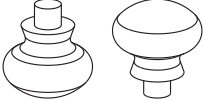
Ref. 5354 - Honey Pine

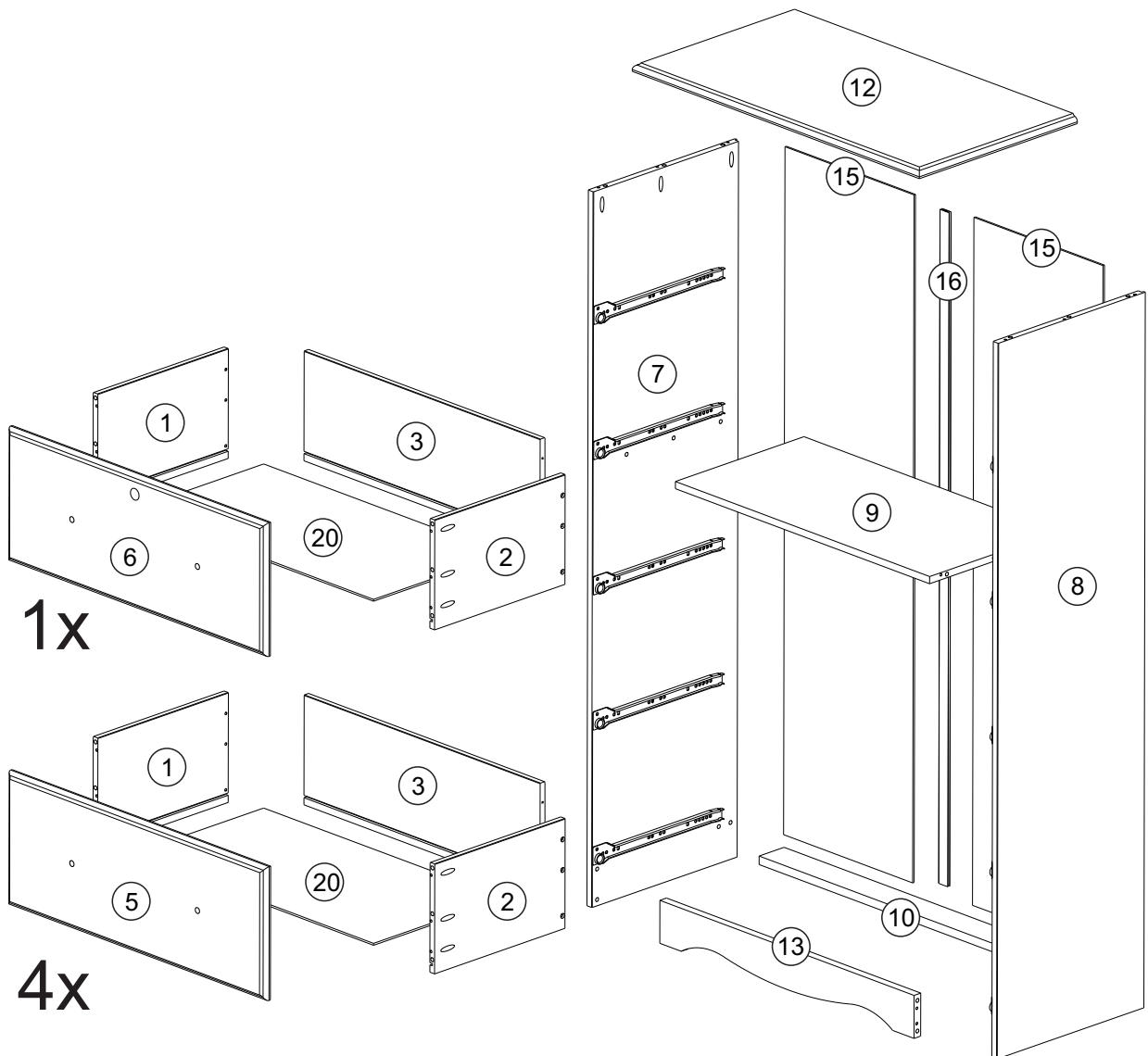
Ref. 5356 - Java



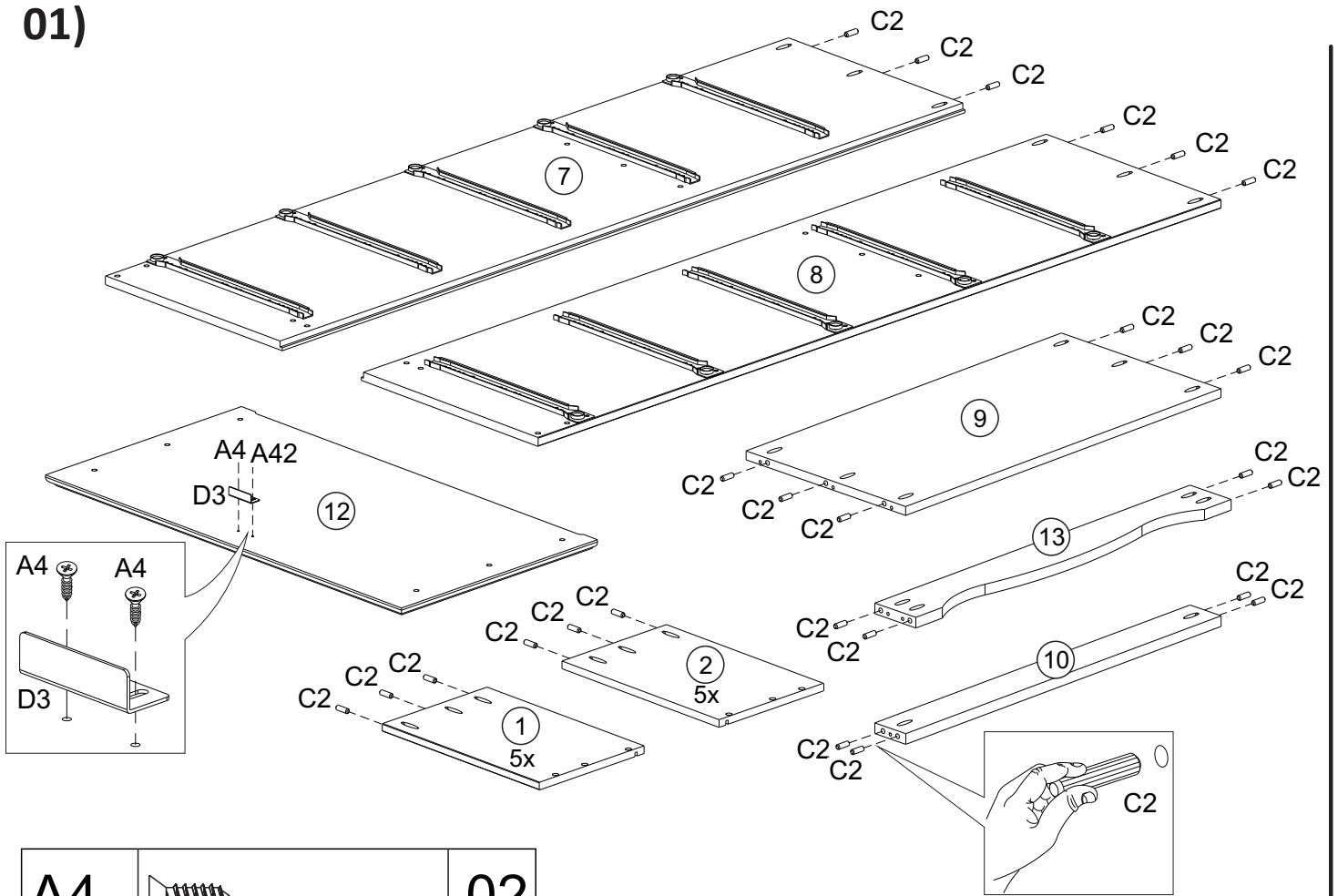
HARDWARE IS SHOWN IN ACTUAL SIZE



| | | |
|----|---|----|
| A1 |  4,0x30 | 88 |
| A4 |  3,5x14 | 24 |
| C2 |  8,0x25 | 50 |
| G1 |  10x10 | 40 |
| D3 |  | 01 |

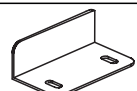
| | | |
|----|---|----|
| E1 |  350mm - 13 3/4" | 05 |
| E2 |  350mm - 13 3/4" | 05 |
| F1 |  | 01 |
| H1 |  | 10 |



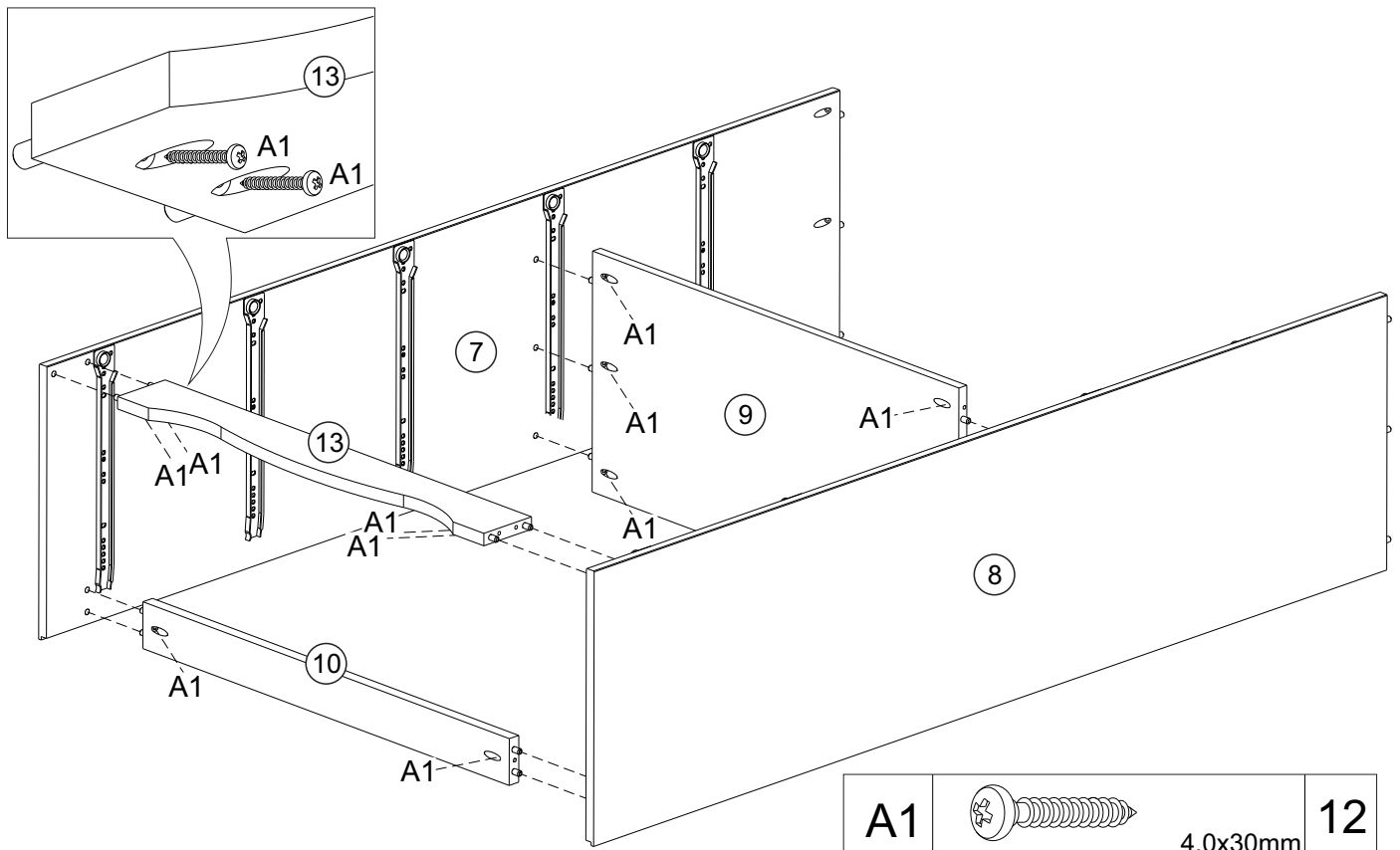
01)




| | | |
|----|---|----|
| A4 |  | 02 |
| | 3,5x14 | |
| C2 |  | 50 |

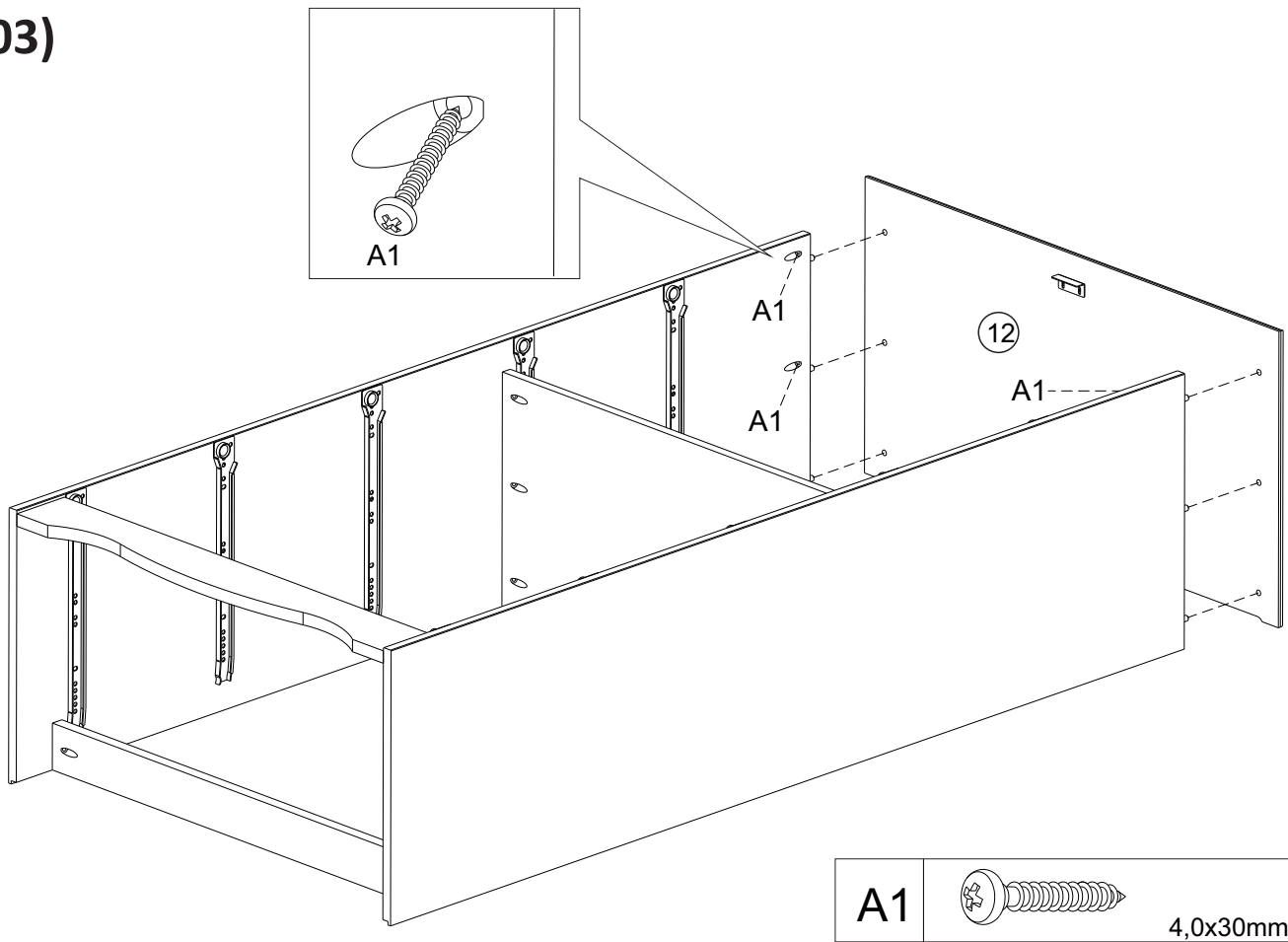
| | | |
|----|--|----|
| D3 |  | 01 |
|----|--|----|

02)

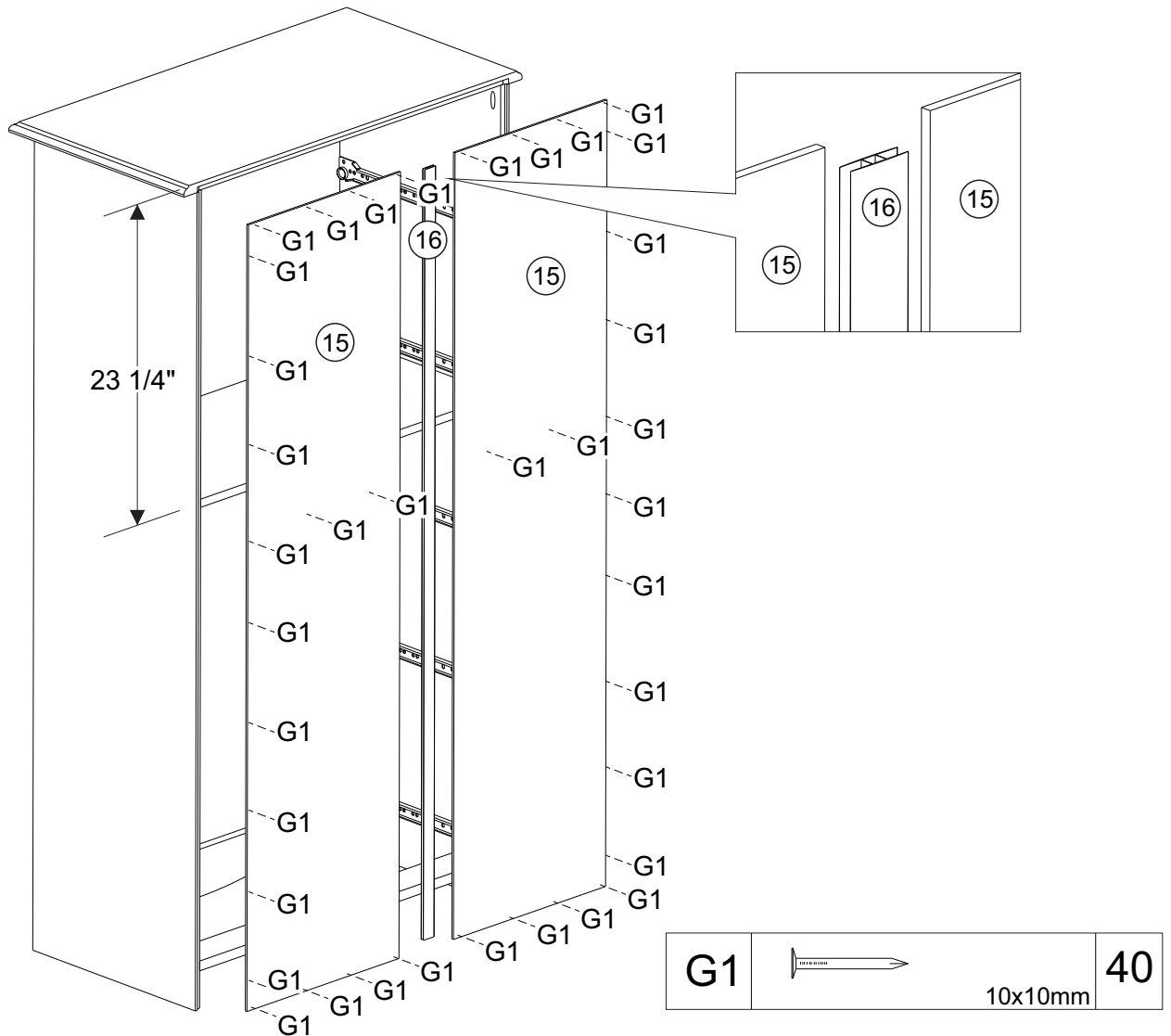


| | | |
|----|---|----|
| A1 |  | 12 |
| | 4,0x30mm | |

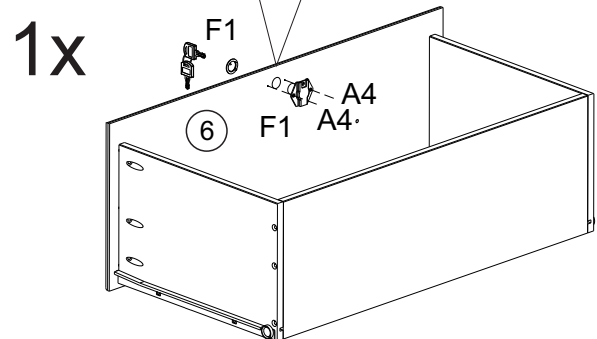
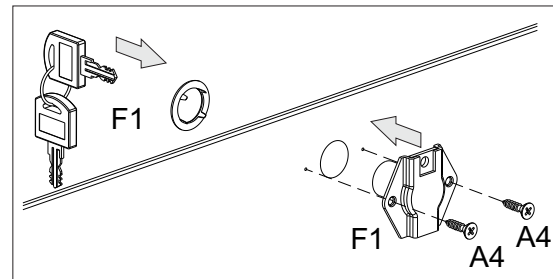
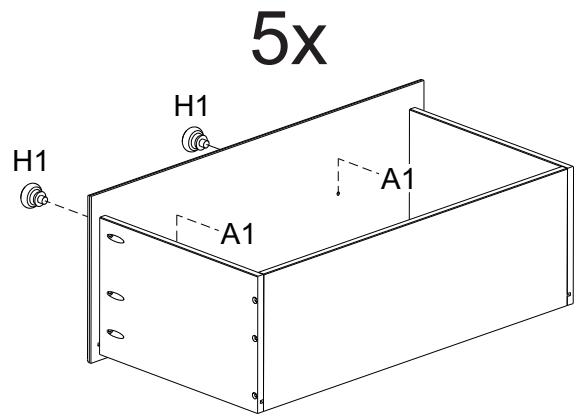
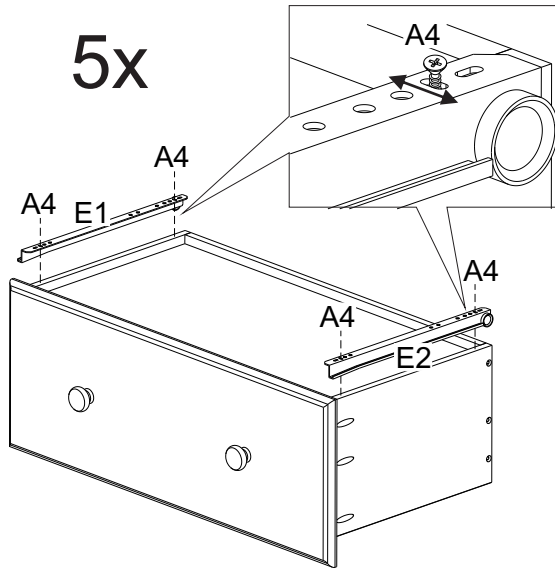
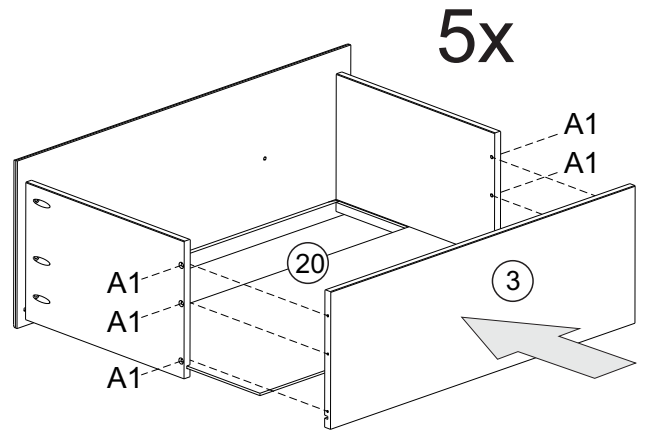
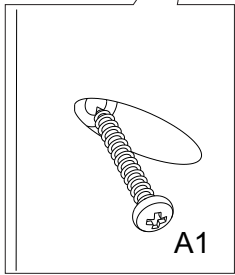
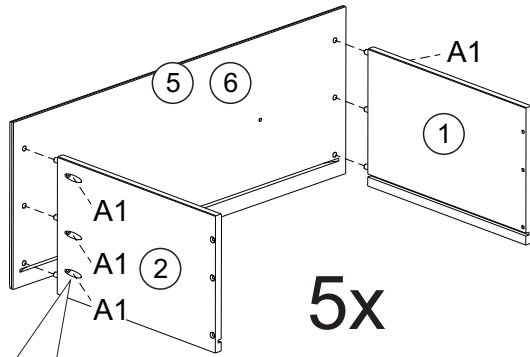
03)


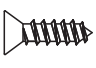
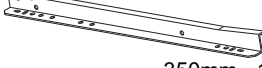
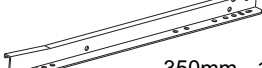
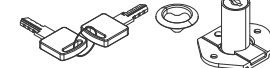



04)



05)



| | | |
|----|--|----|
| A1 |  4,0x30 | 70 |
| A4 |  3,5x14 | 22 |
| E1 |  350mm - 13 3/4" | 05 |
| E2 |  350mm - 13 3/4" | 05 |
| F1 |  | 01 |
| H1 |  | 10 |

06)

